



PRODUCT CATALOGUE

HEAT PUMPS AIR/WATER

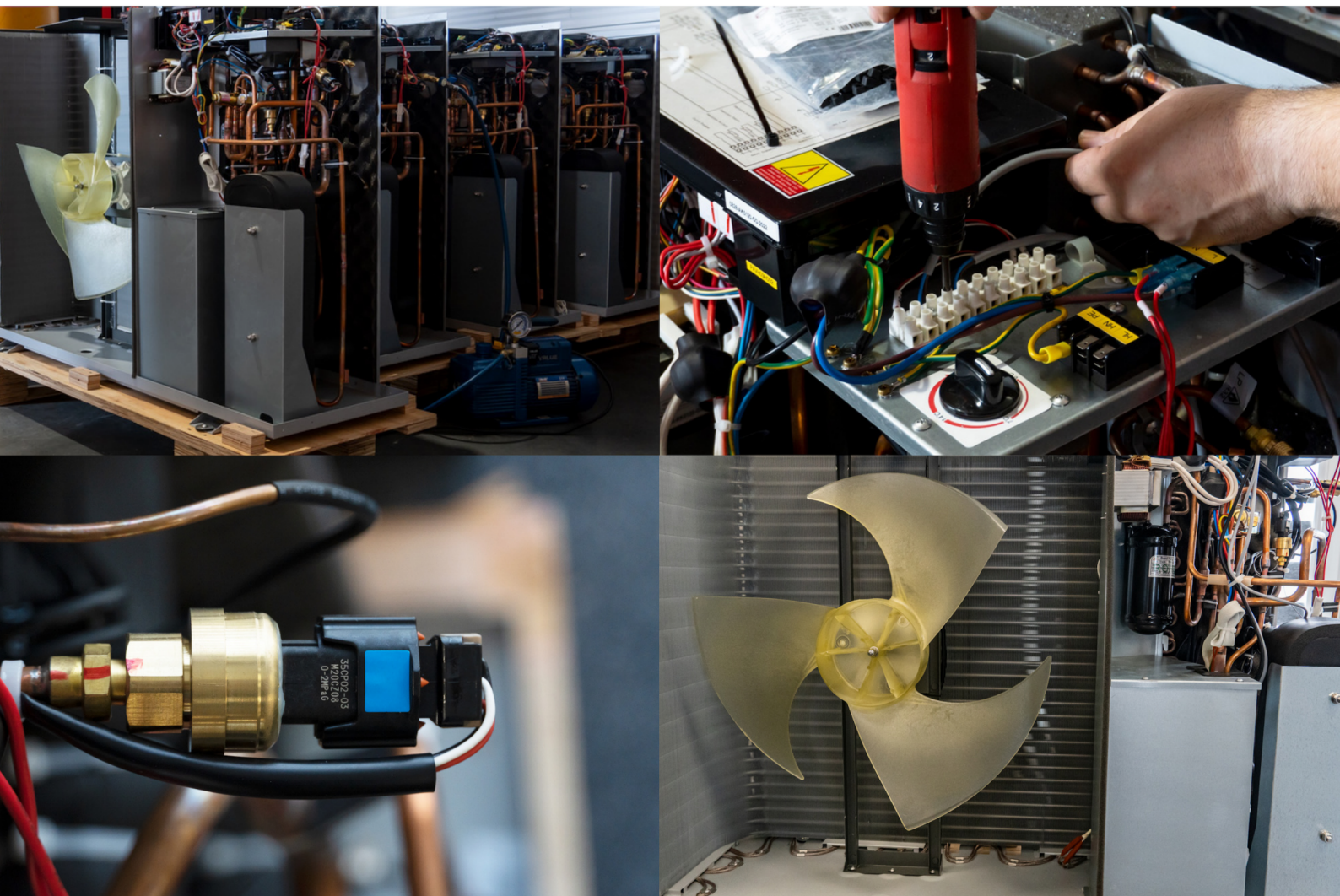
ABOUT US

VASTI BRAND

VASTI is the brand under which heat pumps and DHW exchangers and buffers are made of high-end certified stainless steel. Vasti brand heat pumps mean up to 25 years of reliable operation. They are modern, economical and maintenance-free heating devices that provide an environmentally friendly way to heat the home and domestic water. They are characterized by the highest efficiency and effectiveness.

Our goal is customer satisfaction, so we continue to invest, not only expanding the plant, but also employing high-class specialists.

The VASTI brand, together with the VENMA brand, belongs to the Mączka Group company.



HEAT PUMPS

VASTI

Vasti brand heat pumps are modern, economical and maintenance-free heating devices that provide an environmentally friendly way to heat the home and domestic water.

The air-to-water heat pump, which converts primary energy, supplying it to our installations, is a device that allows us to obtain a significant part of the thermal energy needed to heat the object from the air using appropriate thermodynamic processes. For this reason, the pump cannot be considered as a simple equivalent of a boiler.

Vasti heat pumps run on R32 refrigerant, which has a low environmental impact. In addition, when filling the units, the amount used can be reduced by as much as 30%. In addition, it is classified as a lower flammability refrigerant, so the negative impact on the environment is doubly reduced.

The Vasti brand offers Vasti M, Vasti Lite (monoblocks) and Vasti S, a split heat pump.

	VASTI PRO		VASTI LITE	VASTI MAX
	SPLIT	MONOBLOK	MONOBLOK	MONOBLOK
Outdoor unit				
Drip tray heating cable	•	•	•	–
Flow switch	•	•	•	•
Vasti Frost	<i>absent</i>	•	<i>absent</i>	<i>absent</i>
High-capacity circulation pump	•	•	•	–
Indoor unit	•	•	–	•
PWM circulating pump	•	•	–	–
Auxiliary heater	•	•	–	–
Switching valve with actuator	•	•	–	–
LAN Internet module	•	•	–	–
Emergency thermostat	•	•	–	–
Grupa bezpieczeństwa	•	•	–	–
Security group	•	•	–	–
Controller	•	•	•	•
Internet module	LAN RJ-45	LAN RJ-45	WiFi	WiFi

HEAT PUMP VASTI M

MONOBLOCK R32

A monoblock is a heat pump that contains a hermetic refrigeration system. The unit is completely manufactured at the factory and is filled with refrigerant gas there. As a result, no specialized F-Gas certification is needed to install a monobloc pump.

The entire thermodynamic system of the pump is assembled, tested and filled by the manufacturer. Installation of the Vasti M monoblock pump requires plumbing and electrical connections of the system.



The installation of the heat pump should be carried out by a trained, certified installer. The Vasti M heat pump should be installed in accordance with applicable regulations and standards.

TECHNICAL DATA VASTI M



MODEL	jm	Vasti 6M	Vasti 9M	Vasti 12M	Vasti 15M	Vasti 19M
Power supply/ Refrigerant type	V/Hz/Ph	220 - 240/50/1 - R32		I	380-420/50/3 - R32	
Max. heating capacity (1)	kW	6,5	9,2	11,6	15,35	18,5
C.O.P. (1)	W/W	4,61	4,38	4,3	5,06	5,01
Heating capacity min./max.(1)	kW	3,5/6,5	4,3/9,2	5,5/11,6	7,3/15,5	9,2/18,5
Power demand min./max.(1)	W	758/1410	927/2097	1107/2683	1623/3382	1834/4142
C.O.P. min./max.	W/W	4,5/4,7	4,38/4,71	4,3/4,9	4,7/5,2	4,5/5,0
Max. heating capacity (2)	kW	6	8,6	11,2	14,5	18,2
C.O.P. (2)	W/W	3,46	3,37	3,45	3,62	3,62
Heating capacity min./max. (2)	kW	3,15/6	3,9/8,6	4,9/11,2	6,6/14,5	8,5/18,2
Power demand min./max.(2)	W	943/1732	1162/2550	1401/3263	1889/4089	2333/5083
C.O.P. min./max.	W/W	3,34/3,56	3,37/3,58	3,3/3,5	3,5/3,7	3,5/3,7
Max. cooling capacity (3)	kW	7,45	9,5	9,8	13	16
EER (3)	W/W	4,05	4,23	3,9	3,29	3,2
Cooling capacity min./max (3)	kW	6,22/7,45	6,7/9,5	7,2/9,8	4,46/13	5,5/16
Power demand min./max (3)	W	1400/1863	1679/2242	1791/2510	4390	5656
EER min./max (3)	W/W	4,05/4,45	4,0/4,6	4,0/3,8	3,29	3,2
Ambient temp. (3)	°C	-25~43				
Min. supply temp. (heating/cooling)	°C	20/7				
Piping connections	cal	G1"	G1"	G1"	G1-1/4"	G1-1/4"
Flow limits (min./std./max)	L/h	756/1044/1260	936/1548/1872	1224/2052/2448	1548/2556/3060	1980/3312/3960
Security required Class C	A	16	20	20	20	20
Dimensions - indoor unit	mm	570 x 550 x 255	570 x 550 x 255	570 x 550 x 255	570 x 550 x 255	570 x 550 x 255
Dimensions - outdoor unit	mm	1010 x 370 x 700	1165 x 370 x 845	1165 x 370 x 845	1085x390x1450	1085x390x1450
Net weight (Indoor/Outdoor unit)	kg	65/25	78/25	85/25	120/25	140/25

(1) Heating return/supply Temp. 30°C/35°C Ambient temperature DB 7°C/WB 6°C

(2) Heating return/supply Temp. 40°C/45°C Ambient temperature DB 7°C/WB 6°C

(3) Cooling return/supply Temp. 23°C/18°C Ambient temperature DB 35°C/WB 24°C



Heat exchanger/
condenser

A+++

Vasti monobloc heat pumps are equipped with the innovative Vasti Frost system - a heating cable for antifreeze protection of the heat exchanger and piping outside the building with a separate feed path.

The unit is built with a high-end Mitsubishi DC Inverter compressor running on R32 refrigerant.



Hydrobox

Everything you need to control heating and heat distribution in one device:

- Built-in PWM circulation pump,
- CH/CWU circuit switching valve,
- Built-in flow heater,
- Aesthetic housing.

HMI touch panel

High comfort of operating the device:

- Control of two mixing valve actuators,
- Room temperature control,
- Viewing of all device parameters,
- Possibility of cooperation and control of other heat sources,
- Possibility of controlling two additional heaters - reheating of central heating and DHW,
- Possibility of remote control*,
- Heating curve function,
- Operation of two heating circuit pumps,
- All temperature sensors included.




**requires LAN internet connection*

HEAT PUMP VASTI S

SPLIT R32

The Vasti split type heat pump consists of an outdoor unit and an indoor unit. The outdoor unit contains the fan, evaporator and compressor, while the indoor unit (hydrobox) contains the condenser and circulating pump, among others. These units are connected by pipes in which the refrigerant circulates. This eliminates the risk of freezing of the heat pump system. According to the regulations, the installation of a split heat pump requires special F-Gas authorization, as it is necessary to top up the refrigerant system with refrigerant and check the system for leaks on site.

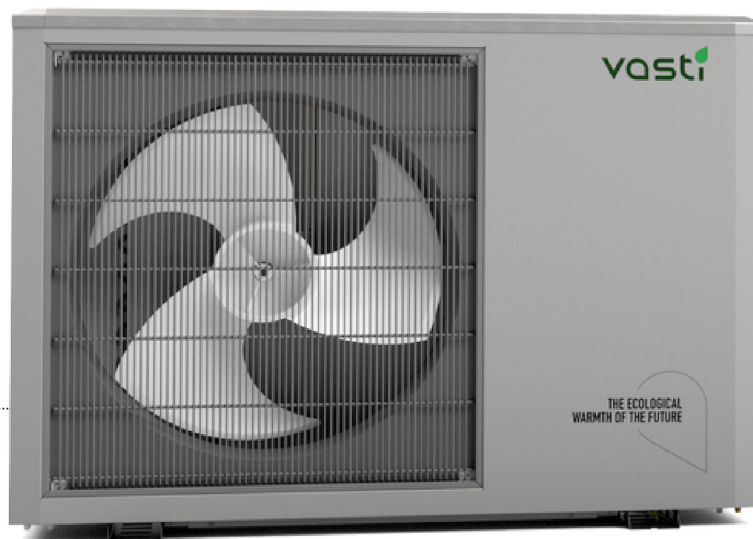
The advantage of the split heat pump is undoubtedly its lower price, but its installation involves work on the refrigeration system and regular maintenance, which in turn generates additional costs.

 The installation of the heat pump should be carried out by a trained F-Gas certified installer. The Vasti S heat pump should be installed in accordance with current regulations and standards.

TECHNICAL DATA VASTI S



MODEL	jm	Vasti 6S	Vasti 9S	Vasti 12S	
Power supply/ Refrigerant type	V/Hz/Ph	220 - 240/50/1 - R32			
Max. heating capacity (1)	kW	6,5	9,2	11,6	
C.O.P (1)	W/W	4,61	4,38	4,3	
Heating capacity min./max.(1)	kW	3,5/6,5	4,3/9,2	5,5/11,6	
Power demand min./max.(1)	W	758/1410	927/2097	1107/2683	(1) Heating return/supply Temp. 30°C/35°C Ambient temperature DB 7°C/WB 6°C
C.O.P. min./max.	W/W	4,5/4,7	4,38/4,71	4,3/4,9	
Max. heating capacity (2)	kW	6	8,6	11,2	
C.O.P (2)	W/W	3,46	3,37	3,45	
Heating capacity min./maks. (2)	kW	3,15/6	3,9/8,6	4,9/11,2	
Power demand min./maks.(2)	W	943/1732	1162/2550	1401/3263	(2) Heating return/supply Temp. 40°C/45°C Ambient temperature DB 7°C/WB 6°C
C.O.P. min./max.	W/W	3,34/3,56	3,37/3,58	3,3/3,5	
Max. cooling capacity (3)	kW	7,45	9,5	9,8	
EER (3)	W/W	4,05	4,23	3,9	
Cooling capacity min./max. (3)	kW	6,22/7,45	6,7/9,5	7,2/9,8	(3) Cooling return/supply Temp. 23°C/18°C Ambient temperature DB 35°C/WB 24°C
Power demand min./max. (3)	W	1400/1863	1697/2242	1791/2510	
EER min./max (3)	W/W	4,05/4,45	4,0/4,6	4,0/3,8	
Ambient temp. (3)	°C	-24 -43			
Min. supply temp. (heating/cooling)	°C	20/7			
Piping connections	cal	G1"			
Flow limits (min./std./max)	L/S	0,21/0,29/0,35	0,26/0,43/0,52	0,34/0,57/0,68	
Security required Class C	A	16	20	20	
Dimensions - indoor unit	mm	755x505x300	755x505x300	755x505x300	
Dimensions - outdoor unit	mm	1010x370x700	1165x370x845	1165x370x845	
Net weight (Indoor unit/Outdoor unit)	kg	37/62	39/73	39/80	



A+++

The unit is built with a high-end Mitsubishi DC Inverter compressor running on R32 refrigerant.

The high energy class of Vasti heat pumps means less energy consumption.



Hydrobox

Everything you need to control heating and heat distribution in one device:

- Heat exchanger/condenser,
- Built-in PWM circulation pump,
- CH/DHW SWIVEL VALVE
- Built-in flow heater,
- Aesthetic housing.

HMI touch panel

high comfort of using the device:

- Controlling two mixing valve actuators,
- Room temperature control,
- Preview of all device parameters,
- Ability to cooperate and control other heat sources,
- Possibility to control two additional heaters - additional heating of central heating and hot water,
- Possibility of remote control*,
- heating curve function,
- Support for two heating circuit pumps,
- All temperature sensors included.



***requires LAN internet connection*

HEAT PUMP VASTI LITE

MONOBLOCK R32

The Vasti Lite heat pump is a monoblock device with a built-in circulation pump, thanks to which simple systems with a parallel or serial buffer can be implemented.

It also has automatics that allow the construction of a hot utility water circuit using an external switching valve.

It is a hermetically sealed device, powered by R32 refrigerant and does not require F-GAZ license for installation.



Installation of the heat pump should be carried out by a trained installer with appropriate qualifications. The Vasti Lite heat pump should be installed in accordance with applicable regulations and standards.

TECHNICAL DATA VASTI LITE



ENERGY CLASS



ECO-FRIENDLY REFRIGERANT



HEATING HOT WATER



SLEEP MODE



SILENT MODE



HEATING AND COOLING

MODEL	jm	Vasti 9 Lite	Vasti 12 Lite	
Power supply/ Refrigerant type	V/Hz/Ph	220 - 240/50/1 - R32		
C.O.P. (1)	W/W	4,62	4,57	(1) Heating return/supply Temp. 30°C/35°C Ambient temperature DB 7°C/WB 6°C
Heating capacity min./max.(1)	kW	5,0/9,7	5,9 /11,9	
Power demand min./max.(1)	W	1000/2400	1300/2900	
C.O.P. min./max.	W/W	4,01/4,57	4,05/4,67	
Heating capacity min./max. (2)	kW	4,2/8,9	6/11,5	(2) Heating return/supply Temp. 40°C/45°C Ambient temperature DB 7°C/WB 6°C
Power demand min./max. (2)	W	1300/2900	1600/3600	
C.O.P. min./max (2)	W/W	3,03/3,4	3,19/3,66	
Cooling capacity min./max (3)	kW	4,2/9,1	5,1/12,2	(3) Cooling return/supply Temp. 23°C/18°C Ambient temperature DB 35°C/WB 24°C
Power demand min./max (3)	W	1200/2900	1340/3400	
E.E.R min./max(3)	W/W	3,28/4,24	3,33/4,33	
Cooling capacity min./max (4)	kW	3,1/7,9	4,2/8,9	(4) Cooling return/supply Temp. 12°C/7°C Temp. surroundings: DB 35°C/WB 24°C
Power demand min./max (4)	W	1100/3200	1600/3100	
EER min./max (4)	W/W	2,38/2,83	2,61/3,22	
Min./max ambient temp. in heating mode	°C	-25-43		
Min./max ambient temp. in cooling mode	°C	7-43		
Min. supply temperature (heating/cooling)	°C	20/7		
Acoustic power	dB	53	53	
Connection diameter	cal	G1"	G1"	
Security required Class C	A	20	20	
Flow limits (min./typical)	L/h	0,8/1,6	1,03/2,06	
Net dimensions - outdoor unit	mm	1175x380x845	1175x380x845	
Net weight	kg	79	82	



Controller
Touch HMI

A+++

Aesthetic, refreshed
outdoor unit housing.

The high energy class of Vasti heat
pumps means less energy consumption.



- Built-in PWM circulation pump,
- Mitsubishi DC Inverter compressor,
- electronic expansion valve,
- 230 V valve actuator control,
- Protection of the circulation pump exchanger by controlling the water flow,
- Controlling an additional 230 V input, e.g. to control the heater.

Controller with WiFi module

- Easy to use, clear touch screen,
- Heating curve function,
- The set includes a DHW temperature sensor,
- Possibility of remote control - WiFi,
- 10 m cable as standard.



HEAT PUMP VASTI MAX

MONOBLOCK R410A

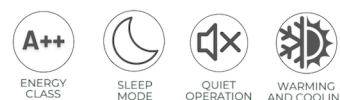
VASTI MAX heat pumps - high-power monoblock pumps that are perfect for buildings with large surfaces, e.g. public buildings, halls, industrial buildings, hotels.

The devices are designed for cascading, so we can combine several units into one extensive heating system.



The heat pump should be installed by a trained installer with appropriate qualifications. The Vasti Max heat pump should be installed in accordance with applicable regulations and standards.

TECHNICAL DATA VASTI MAX



MODEL	jm	Vasti 40 MAX	Vasti 90 MAX	
Refrigerant supply/type	V/Hz	400/50/ - R410a	400/50/ - R410a	
C.O.P. (7°C/35°C)	W/W	4,42	4,50	(1) Heating return/supply Temp. 30°C/35°C Ambient temperature DB 7°C/WB 6°C
Heating capacity min./max.(1)	kW	13,7/43,7	27,4/89,6	
Power demand min./max.(1)	W	3,325/12,077	6,65/24,254	
C.O.P. min./max. (1)	W/W	3,62/4,42	3,68/4,50	
Heating capacity min./max. (2)	kW	13,6/43,2	28,2/89,5	(2) Heating return/supply Temp. 40°C/45°C Ambient temperature DB 7°C/WB 6°C
Power demand min./max. (2)	W	4,156 /14,308	8,212/28,3	
C.O.P. min./max(2)	W/W	2,99/3,38	3,16/3,48	
Cooling capacity min./max (3)	kW	17,7/32,0	36,4/66,0	(3) Cooling return/supply Temp. 23°C/18°C Ambient temperature DB 35°C/WB 24°C
Power demand min./max (3)	W	3,491/11,771	6,982/23,742	
E.E.R min./max(3)	W/W	2,72/5,09	2,8/5,19	
Cooling capacity min./max (4)	kW	11,2/29,9	23,4/61,2	(4) Cooling return/supply Temp. 12°C/7°C Temp. surroundings: DB 35°C/WB 24°C
Power demand min./max (4)	W	3,529/11,64	6,88/23,45	
EER min./max (4)	W/W	2,57/3,3	2,61/3,4	
Min./max. ambient temperature in heating mode	°C		-25 - 45	
Min./max. ambient temperature in cooling mode	°C		20 - 45	
Min. flow temperature in heating mode	°C		10	
Min. flow temperature in cooling mode	°C		5	
Acoustic power	dB	66	69	
Minimal water flow	m ³ /h-l/s	5 m ³ /h	10 m ³ /h	
Rated water flow	m ³ /h	8 m ³ /h	16 m ³ /h	
Net dimensions - outdoor unit/indoor unit	mm	1010 x 1160 x 1650/385 x 476 x 150	2160 x 1200 x 1650/385 x 476 x 150	
Net weight - outdoor unit	kg	300	600	



A++

The high energy class of Vasti heat pumps means lower energy consumption.



Hydrobox

everything you need to control heating and heat distribution in one device:

- Support for two circulation pumps,
- Support for an additional heater,
- Built-in flow control sensor,
- Control of two 24 V mixing valve actuators,
- Aesthetic casing.

HMI touch panel

high comfort of using the device:

- HMI touch panel with WiFi module,
- heating curve function,
- ability to set a work schedule.

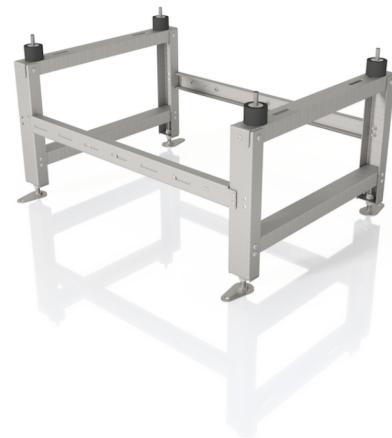


ADDITIONAL

ACCESSORIES

Heat pump stand

Anti-vibration construction with the possibility of multi-level adjustment, designed for stable installation of the VASTI heat pump.



Drip tray

Drain pan dedicated to Vasti heat pump stand made of stainless steel. It collects the condensate from the heat pump and drains it to the drain pipe. Thanks to its use, we will prevent unwanted leakage onto the ground - pavement, paving stones, etc.

Vasti drip trays fit:

- Vasti 6S/ 9S / 12S heat pumps,
- Vasti 6M/ 9M/ 12M/ 15M/ 19M heat pumps,
- Vasti 9 Lite / 12 Lite heat pumps,



Vasti Connect Box

Dedicated electrical protection box

If your electrical installation is not equipped security needed to install the heat pump, use Vasti Connect, which has:

- residual current protection,
- heat pump protection,
- built-in heater protection,
- additional heating heater protection,
- DHW backup heater protection.

The whole is enclosed in an aesthetic housing.



CONTACT

Europa

Krzysztof Szymaszek
e-mail: k.szymaszek@maczkagroup.pl
Tel.: +48 662 933 989

Vasti

Pustków 385 B
39-205 Pustków,
POLAND

Office

vasti@vasti.pl
tel.: +48 14 658 42 00

Service

serwis@vasti.pl
tel.: +48 14 658 42 02

DHW TANKS AND BUFFERS

MADE OF STAINLESS STEEL

Our offer includes both "normal" DHW tanks and tanks dedicated to heat pumps, as well as a combined tank, i.e. a combination of a DHW tank and a buffer tank.

Available capacities of tanks and buffers are depending on the type of product, from 60 l (hanging-standing buffer) to up to 1000 l - domestic hot water tank with one and two coils. It is also possible to make custom-made hot water tanks and buffers with capacities other than those in the standard offer.



Ask our advisors about the offer of dhw tanks and buffer tanks

vasti

The manufacturer reserves the right to make changes to the technical parameters and specification of the goods offered. The information contained in this catalogue does not constitute an assurance within the meaning of article 4 paragraph 3 and 4 of the Act of 27 July 2002 on special conditions of consumer sale and amending the Civil Code, and also does not constitute a description of goods within the meaning of article 4 paragraph 2 of the Act. This catalogue does not constitute an offer within the meaning of article 66 of the Civil Code. The actual look of the products may differ from the graphics presented in the catalogue.

01/28/02/2024-MKT